

# Installation Instructions: 09075V2 / 09131

Date	Revision
27.3.2024	2

Read these instructions before installation and retain for future reference

This equipment should be installed by a competent electrician



## Important Information

We recommend that luminaires are installed by a qualified electrician ensuring the installation complies with current IEE wiring regulations BS7671:2018 & local building control.

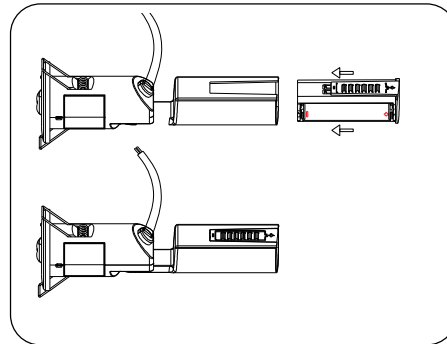
- All tests should be carried out in accordance to EN 50172:2004.
- BELL will not accept responsibility for any claims arising from poor installation.
- The light source of this luminaire is not replaceable, when the light source reaches end of life, the whole luminaire must be replaced.

## Important User Advice

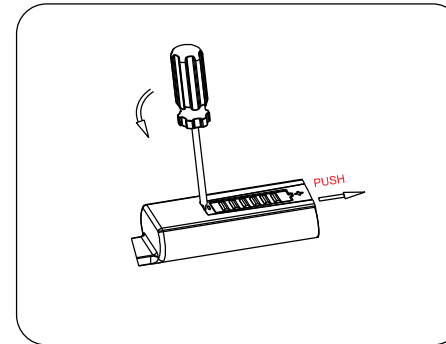
- The ambient room temperature should not exceed 35°C.
- Ensure that there is adequate free air ventilation around the fitting.
- Always switch off mains supply before installing.

## Specification

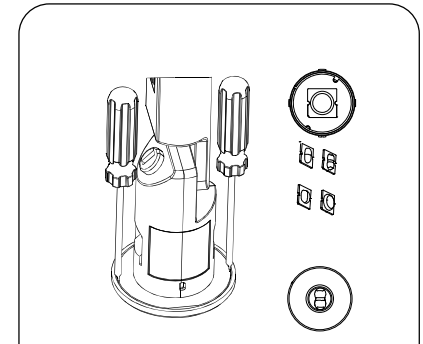
1. Input Voltage: AC220-240V 50/60Hz
2. Wattage: 3W
3. Power factor: 0.8PF
4. Lumens: 260lm.
5. Battery installed or replaced: LiFePO4 3.2V 3Ah.
6. Operating environmental temp: -0°C to +35°C.
7. Recharge time: 24 hours.
8. Emergency duration: more than 3 hours.



Plug the battery into the product

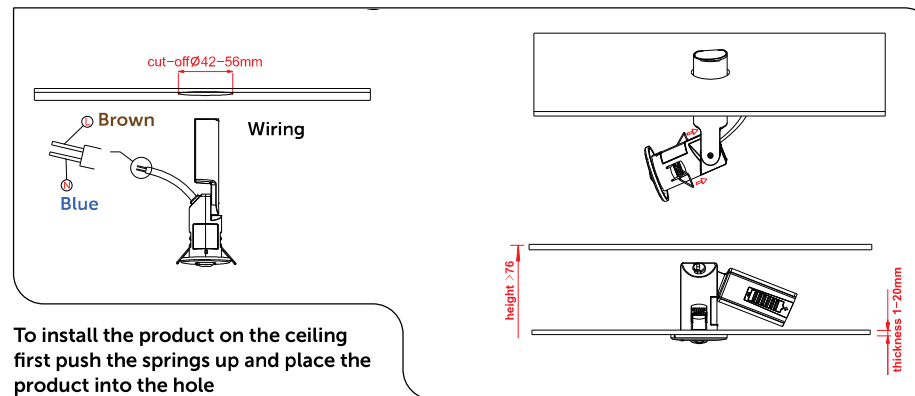


To replace the battery push out with a screwdriver



To replace the lamp head

- 1: Use a screwdriver to open the cover
- 2: Remove the cover and change the lens.
- 3: Replace the cover



To install the product on the ceiling first push the springs up and place the product into the hole

## NOTICE

Other matters:

1. This product has Self-test function and standard function. Press the test button for function test, and the green light flashes quickly (5s).
2. Long press the test button for 5 seconds to switch the system mode: red light flashing (4Hz) is the standard function and green light flashing (4Hz) is the self-test function.
3. Long press the test button for 10 seconds to initialize the program. After the program is initialized, it is in the self-test mode. The downlight needs to be initialized before switching the program.

Technical Helpline +44 (0)1924 893380

www.bellighting.co.uk

British Electric Lamps Ltd  
BELL House, Foxbridge Way, Normanton Industrial Estate  
Normanton, West Yorkshire. WF6 1TN

T: +44 (0)1924 893380 F: +44 (0)1924 894320 E: sales@bellighting.co.uk

www.bellighting.co.uk

**Read these instructions before installation and retain for future reference**  
**This equipment should be installed by a competent electrician**



Indicator LED System status is by the bi-colour indicator LED.

LED Indication	Status	Description
Permanent <b>Green</b>	Standby, System OK	Mains operation, battery is charged
Fast flashing <b>Green</b> (0.25s on 0.25s off)	Function test underway	Function test underway
Slow flashing <b>Green</b> (1s on 1s off)	Duration test underway	Duration test underway
Permanent <b>Red</b>	Lamp failure	Open Circuit or Short circuit or LED failure
Fast flashing <b>Red</b> (0.25s on 0.25s off)	Battery capacity failure	Battery failed duration test
Slow flashing <b>Red</b> (1s on 1s off)	Battery fault	Incorrect battery voltage or Short circuit or OpenCircuit
Green and <b>Red</b> off	Battery Operation	Emergency mode: Mains disconnected or Mains failure

#### Functionality of the test switch – Manual test mode

- A short press (1s) on the button starts a function test lasting 5 seconds.
- Holding down the button (>10s) resets the timer (System reset)

#### Functional test – Self-test Mode

- The functional test lasts for 5 seconds and occurs every 7 days, to check the functionality of the emergency unit, the batteries and LED module.

Please note: If a mains supply failure occurs while a functional test is in progress, the test shall be postponed, and the system will enter emergency operation. Following restoration of the mains supply, a postponed functional test shall re-commence automatically as soon as conditions permit.

#### Duration test – Self-test Mode

- 24 hours after installation, a 3-hour duration test is performed.
- 3 hour duration tests are performed every 180 - 182 days to check the battery capacity.

Please note: A duration test will only be started once the battery is fully charged and if a mains supply failure occurs while a duration test is in progress, the test shall be postponed, and the system shall enter emergency operation. Following restoration of the mains supply, a postponed duration test shall re-commence automatically once the battery is fully re-charged.

The indicator will be slow flashing Green for 5 days once the duration test has been carried out successfully.

This product may contain substances that can be hazardous to the environment if not disposed of properly. Electrical and electronic equipment should never be disposed of with general household waste but must be separated for its correct treatment and recovery.

Where possible recycle your packaging.



**Technical Helpline +44 (0)1924 893380**

**www.bellighting.co.uk**

**British Electric Lamps Ltd**  
 BELL House, Foxbridge Way, Normanton Industrial Estate  
 Normanton, West Yorkshire. WF6 1TN

T: +44 (0)1924 893380 F: +44 (0)1924 894320 E: sales@bellighting.co.uk

**www.bellighting.co.uk**